



Fax: 503.253.6564

DANA 60 REAR END ORDER FORM

By submitting this form, customer agrees to the current Terms, Conditions, & Policies as stated in the DMI price sheets & web site

SOLD / BILL TO:	SHIP TO:
Name _____	Name _____
Company _____	Company _____
Address _____	Address _____
City _____ State _____ Zip _____	City _____ State _____ Zip _____

DAY PHONE () _____ EVE PHONE () _____
 FAX () _____ Email: _____ @ _____

Rear Style / Description:

D60 housing & axles [Bare housing - un-assembled]

Options:

Axle shaft material: 1541 4140

Wheel bearings: Ball Set 20 Super Set 20

*Access Holes in axle flange _____
 *Required if Wilwood disc with drum style park brake.

Extra Bolt Pattern

Brake Kits & Options:

DMI drum kit

Wilwood disc kit: 11" 12" 13" 14" 15"
 Rotors: Solid Vented
 Rotors: Plain Drilled/slotted/Black E-Coated
 Option: No Park Brake Park Brake
 Calipers: Black Red Polished

Right Stuff disc kit
 Rotors: Plain Drilled/slotted/zinc coated
 Calipers: Plain Black Red

-If you're supplying your own brake kit, check with us 1st to see if we have the build info for your brake kit. If we don't, you will need to answer the following to the best of your knowledge.

Manufacturers name & Part # _____

Brake offset [from housing flange to axle flange] _____

Center hole in the drum or rotor _____

Flange OD _____

Housing end your brake kit was designed for (from chart)
 Small Ford, Big Ford-Old, Big Ford-New

If other, List style or dimensions _____

Vehicle: _____

Engine: _____ Tranny: _____ Stall: _____ Trans Brake

Blower Nitrous, HP: _____ Torque: _____ Ratio: _____

Street Strip Roadrace/autocross/circle track Offroad

Show only Non performance cruiser Mild perf. Hi perf.

Office use only: \$ Advance: _____ Rec# _____

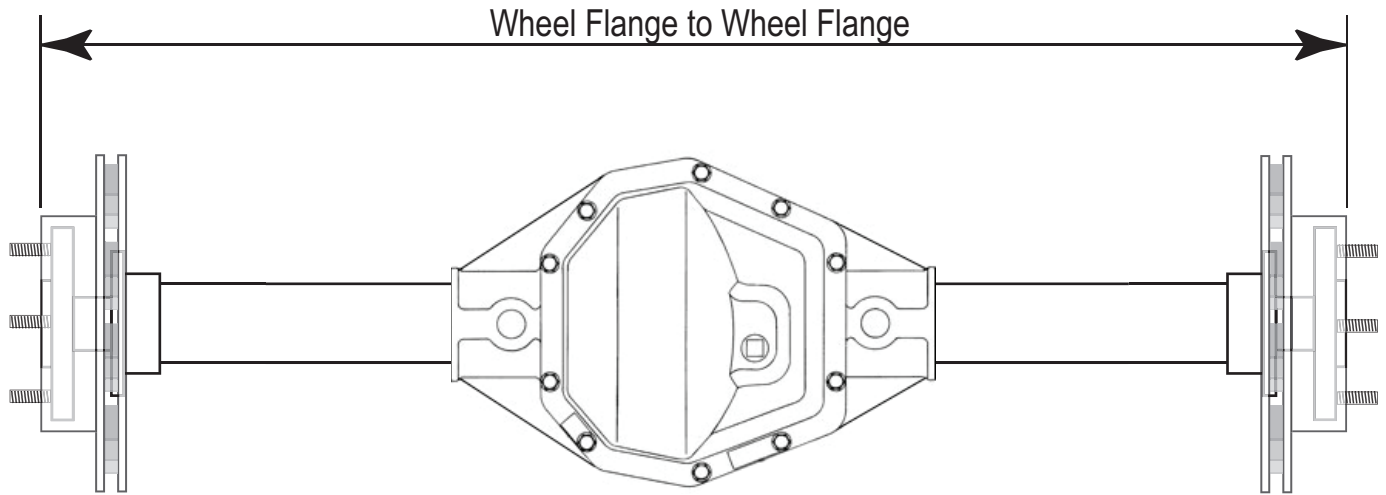
Cash Check Money Order Cashiers / Certified

Salesman: _____ Zone: _____ PP# _____

Name: _____

Date: _____

Attn: _____



Desired width: _____

-This is to the wheel mounting faces & includes the thickness of the drums or rotors.

Centered Pinion Centered Housing Other _____

Bolt pattern(s): _____ studs on a _____ diameter bolt circle.

-Optional 2nd pattern: _____ studs on a _____ diameter bolt circle.

Studs: 7/16" 1/2" 5/8" Metric _____ mm x _____ pitch

-Length: Stock Length - press in Extra Long - screw in (1/2" only)
 2" 3"

Brackets:

- None - Customer doing own
- Customer supplied
- Dutchman supplied

- Brackets installed
- Brackets loose
- Brackets slid on tubes - left loose
- Cut-N-Call

- *Leaf spring vehicle
 - 2" 2 1/2"
 - GM Mono leaf GM Multi leaf
 - Under Top of Housing

*Aftermarket 4 link
Brand _____

*Bracket center to center _____

*Pinion angle _____

*Leaf spring & AM 4 link only

Notes _____

Customer ok: _____

Bolt Pattern Measuring

