



Fax: 503.253.6564

QUICK CHANGE REAR END ORDER FORM

By submitting this form, customer agrees to the current Terms, Conditions, & Policies as stated in the DMI price sheets & web site

SOLD / BILL TO: SHIP TO: Name, Company, Address, City, State, Zip, DAY PHONE, EVE PHONE, FAX, Email

Rear Style / Description: Champ with 6 Rib side bells, Champ with 8 Rib side bells, V8 with 12 Rib side bells, Options: Change from standard gears to Helicals, Extra set of standard change gears, Polished center, bells, & rear cover

Brake Kits & Options: DMI drum kit, Wilwood disc kit, Right Stuff disc kit, -If you're supplying your own brake kit, check with us 1st to see if we have the build info for your brake kit. Manufacturers name & part #, Brake offset, Center hole in the drum or rotor, Flange OD, Housing end your brake kit was designed for

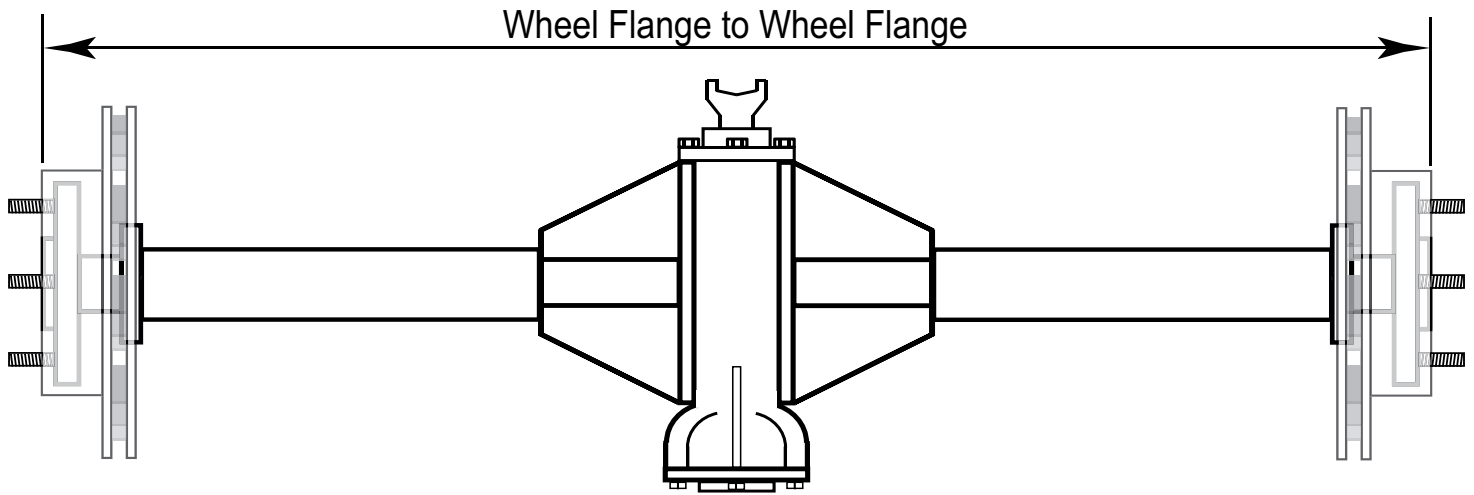
Vehicle: Engine: Tranny: Stall: Trans Brake, Blower, Nitrous, HP, Torque, Ratio, Street, Strip, Roadrace/autocross/circle track, Offroad, Show only, Non performance cruiser, Mild perf, Hi perf.

Office use only: \$ Advance: Rec#, Cash, Check, Money Order, Cashiers / Certified, Salesman: PP#

Name: _____

Date: _____

Attn: _____



Desired width: _____

-This is to the wheel mounting faces & includes the thickness of the drums or rotors.

Bolt pattern(s): _____ studs on a _____ diameter bolt circle.

-Optional 2nd pattern: _____ studs on a _____ diameter bolt circle.

Studs: 7/16" 1/2" 5/8" Metric _____ mm x _____ pitch

-Length: Stock Length - press in Extra Long - screw in (1/2" only)
 2" 3"

Gears: (Each unit comes with 1 set of standard change gears)

Final drive ratio choice: _____ Standard, Helicals

Optional 2nd choice: _____ Standard, Helicals

Brackets:

None - Customer doing own

Customer supplied

Dutchman supplied

Brackets installed

Brackets loose

Brackets slid on tubes - left loose

Cut-N-Call

*Leaf spring vehicle

2" 2 1/2"

GM Mono leaf GM Multi leaf

Under Top of Housing

*Coil spring vehicle & Triangulated 4 link

*Some builds are not available with these type of suspension brackets, inquire 1st before placing your order.

*Aftermarket 4 link

*Transversed leaf

Brand _____

*Bracket center to center _____

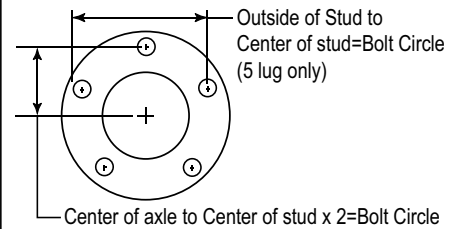
*Pinion angle _____

*Leaf spring & AM 4 link only

Notes _____

Customer ok: _____

Bolt Pattern Measuring



Housing End Identifier

