



Fax 503.253.6564

9" OFFROAD REAR END ORDER FORM

By submitting this form, customer agrees to the current Terms, Conditions, & Policies as stated in the DMI price sheets & web site

SOLD / BILL TO: SHIP TO: Name, Company, Address, City, State, Zip, DAY PHONE, EVE PHONE, TELE FAX, Email

Vehicle, Engine, Transmission, Blower, Turbo(s), Portals, HP, Torque, Ratio, Tire size, Gear reduction, Usage, Performance level, PO#

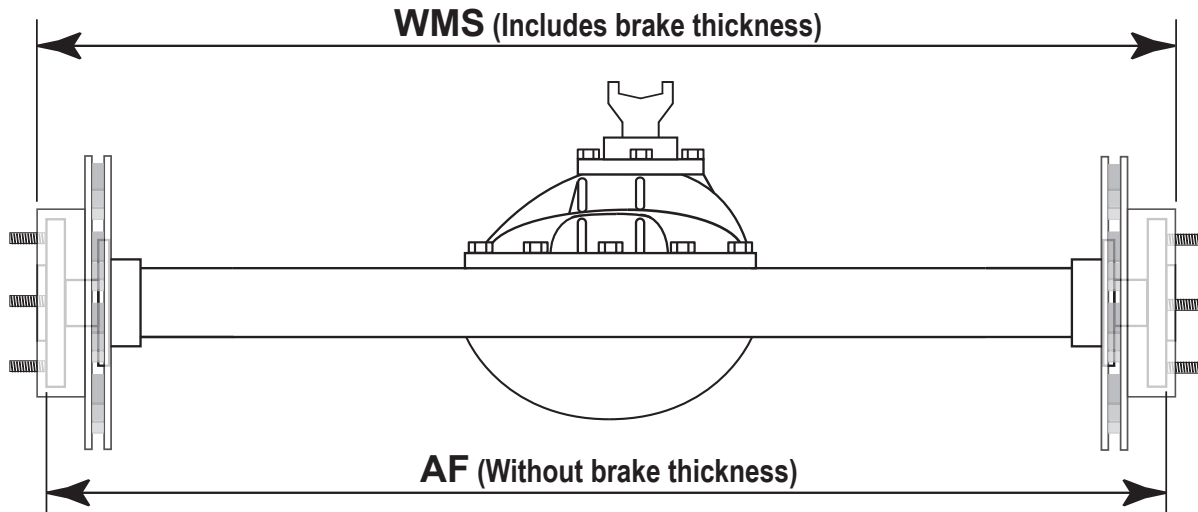
9" Housing Style / Description: Offroad D-Fab 9, Options: Thicker 3/8" wall tube, Install drain, Powder coat, [Housings with brackets ONLY]

Brake Kit & Options: [Dutchman supplied], Wilwood disc kit, Rotors, Calipers, Option, NOTE: Our special designed billet housing ends are designed to use a Wilwood disc brake kit...

Name: _____

Date: _____

Attn: _____



WMS: _____ **AF:** _____

[Includes drum / rotor thickness] [Without drum / rotor thickness]

Centered Pinion Centered Housing Other _____

Bolt pattern(s): _____ studs on a _____ bolt circle

Optional 2nd BP: _____ studs on a _____ bolt circle

Press in Studs: 1/2" 5/8" NF 5/8" NC
 14mm x 1.5 14mm x 2.0

Screw in Studs: 1/2" x 2" 1/2" x 3"
 14mm x 1.5 5/8" NF x 3"

Suspension Brackets:

None [By checking this box or choosing loose brackets, I acknowledge, welding on the housing tubes will warp them & straightening will be necessary. Failure to do so will affect bearing service life.]

Install customer supplied [Will require instructions; Custom quoted]

Manufacturer part# or make/model _____

Install after market _____

Install DMI supplied _____

Leaf spring pads: Pads installed Pads loose
 Spring under Spring over

2" 2 1/2" 2 1/2" boxed

Center / center _____ Pinion Angle _____

3rd Member:

- If you're not ordering a 3rd member, how many splines on your axles: 35 40

Case:

DMI nodular

Strange Pro aluminum Strange Pro nodular
P3203 only N1905 / N1906

Carrier:

Detroit Locker (35 spline)

Wave Trac (35 spline)

Tru Trac (35 spline)

Full Spool (35 spline)

Full Spool (40 spline)

ARB Locker (35 spline) N1906 Pro nodular case only

Options:

Ratio: _____ (Aftermarket gears may make noise, no guarantees)

Pinion support: Nodular Forged Aluminum

Yoke: 1350 1350 Chromoly

Plastic shipping / storage container

Powder coat:

Semi-flat Black

Gloss black

Other color [Inquire]