

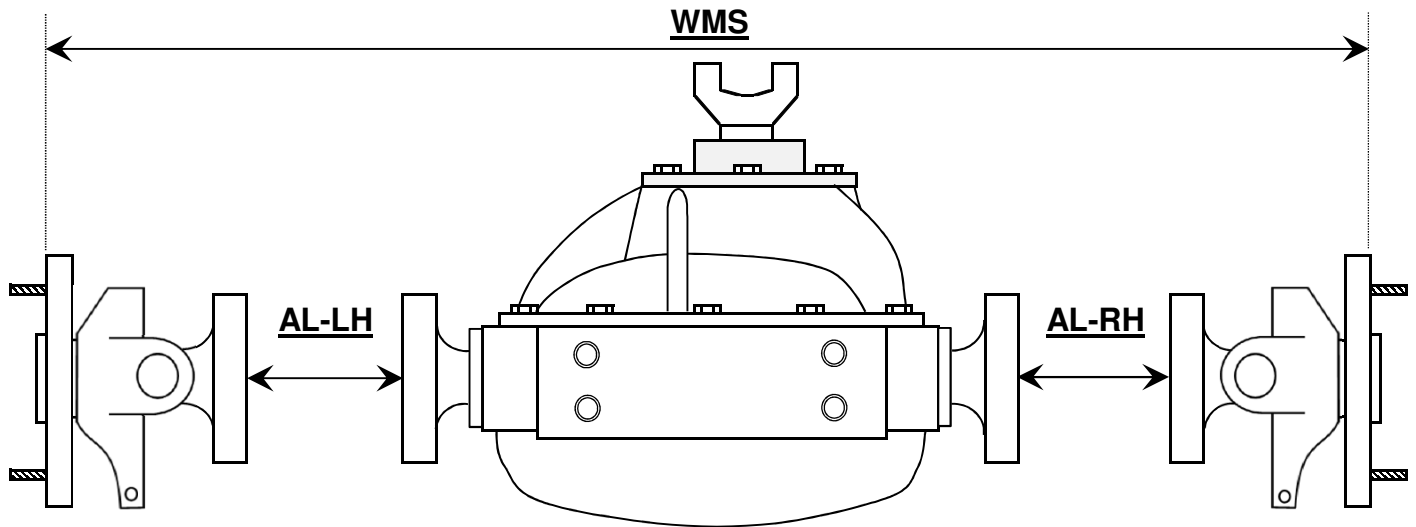
DMI IRS CV Shaft Order Form

Fax: 503-253-6564



By submitting this form, customer agrees to the current terms, conditions, & policies as stated in the DMI price sheets & web site.

SOLD / BILL TO:		SHIP TO:	
Name _____		Name _____	
Company _____		Company _____	
Address _____		Address _____	
City _____	State _____	City _____	State _____
Zip _____		Zip _____	
DAY PHONE _____		EVE PHONE _____	
FAX _____		EMAIL _____ @ _____	



CV Shaft Type:

930 (28 spl)
 930 (30 spl)
 934 (33 spl)
 934 (35 spl)

NOTE: Making intermediate shafts to fit OEM or other outer CV joints than what is listed may require sending samples for proper fitment.

AL-LH = _____
 AL-RH = _____

NOTE: Inner stub face to outer stub face measurement should not include the CV joint width & should be at ride height or apex of the suspension arch.

OR

WMS = _____

NOTE: WMS should not include rotor thickness if using outboard disc brakes

Optional Hardware: Check what you want included with your shafts

<input type="checkbox"/> 930 CV - 28 spl, Econo HD, Solid	<input type="checkbox"/> 934 CV - 33 spl, EMPI, Solid
<input type="checkbox"/> 930 CV - 28 spl, Econo HD, Lightened	<input type="checkbox"/> 934 CV - 33 spl, EMPI, Lightened
<input type="checkbox"/> 930 CV - 30 spl, RCV HD, Solid	<input type="checkbox"/> 934 CV - 33 spl, Dutchman HD, Solid
<input type="checkbox"/> 930 Boot & Bolt Kit	<input type="checkbox"/> 934 CV - 35 spl, RCV HD, Solid
	<input type="checkbox"/> 934 Boot & EMPI Bolt Kit (Low performance)
	<input type="checkbox"/> 934 Boot & ARP Bolt Kit (High performance)

Black Cerakote finish on intermediate CV shafts
 Assemble option: Fully assemble CV axles (includes booted, greased joints with end caps)