

DMI Complete IRS Order Form

Fax: 503-253-6564

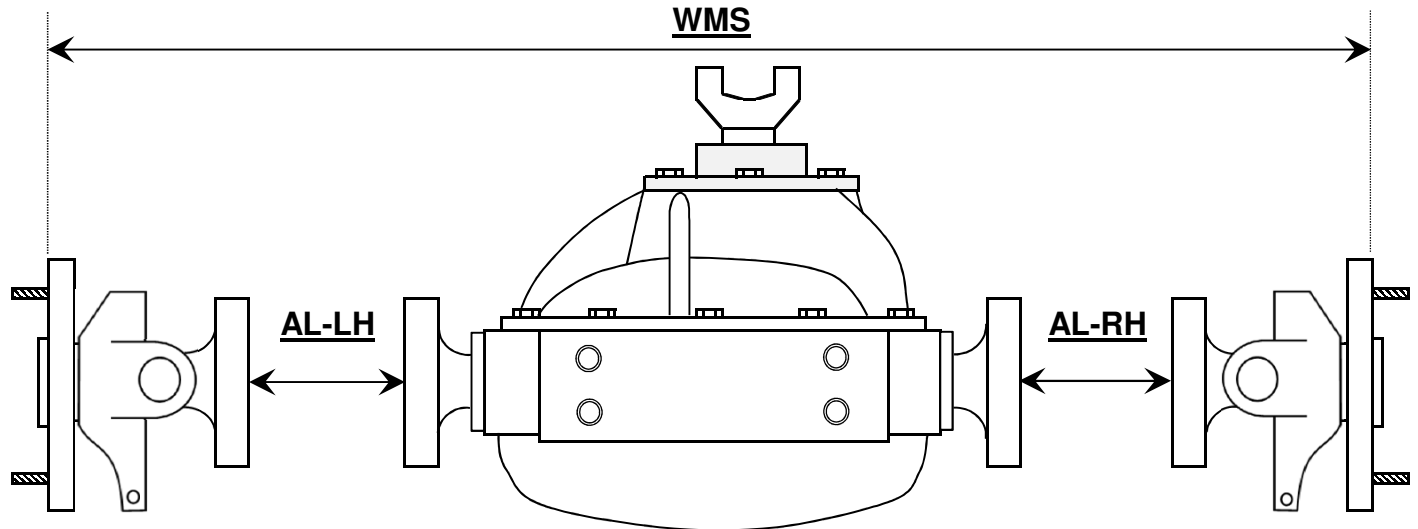


By submitting this form, customer agrees to the current terms, conditions, & policies as stated in the DMI price sheets & web site.

SOLD / BILL TO:

SHIP TO:

Name _____ Name _____
 Company _____ Company _____
 Address _____ Address _____
 City _____ State _____ Zip _____ City _____ State _____ Zip _____
 DAY PHONE _____ EVE PHONE _____
 FAX _____ EMAIL _____@_____



- Housing Hardware:** Inboard Disc No Disc Delrin Bushing Oil Cooler
Mounting Hardware: Steel Top Plate Steel Top Plate w/ Bushings Alum Top Plate
 Steel Pinion Plate Alum Pinion Plate
Inner Stub Shaft: 31 Spline 35 Spline
Outer Stub Shaft: C7 (33 spl) C7 Unit Brg

CV Shaft Type: Hy-Tuff

- 930 (28 spl) 930 (30 spl) 934 (33 spl) 934 (35 spl)

NOTE: Making intermediate shafts to fit OEM or other outer CV joints than what is listed may require sending samples for proper fitment.

AL-LH = _____ **AL-RH** = _____

NOTE: Inner stub face to outer stub face measurement should not include the CV joint width & should be at ride height or apex of the suspension arch.

OR
WMS = _____

NOTE: WMS should not include rotor thickness if using outboard disc brakes

Optional Hardware: Check what you want included with your shafts

- | | |
|---|---|
| <input type="checkbox"/> 930 CV - 28 spl, Econo HD, Solid | <input type="checkbox"/> 934 CV - 33 spl, EMPI, Solid |
| <input type="checkbox"/> 930 CV - 28 spl, Econo HD, Lightened | <input type="checkbox"/> 934 CV - 33 spl, EMPI, Lightened |
| <input type="checkbox"/> 930 CV - 30 spl, RCV HD, Solid | <input type="checkbox"/> 934 CV - 33 spl, Dutchman HD, Solid |
| <input type="checkbox"/> 930 Boot & Bolt Kit | <input type="checkbox"/> 934 CV - 35 spl, RCV HD, Solid |
| | <input type="checkbox"/> 934 Boot & EMPI Bolt Kit (Low performance) |
| | <input type="checkbox"/> 934 Boot & ARP Bolt Kit (High performance) |

- Black Cerakote finish on CV shafts
 Assemble option: Fully assemble CV axles (includes booted, greased joints with end caps)